

# BACKER IMMERSION HEATER FOR WATER HEATING WITH ELEMENT TUBES IN ACIDPROOF STAINLESS STEEL



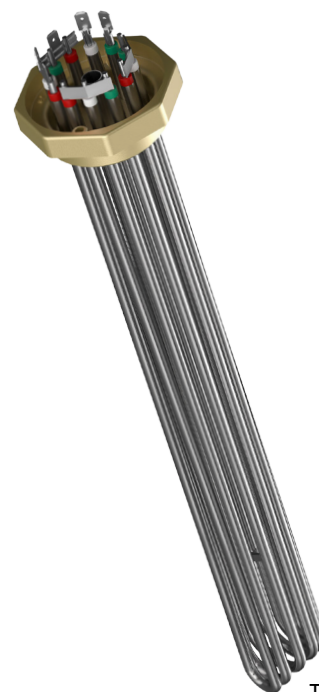
## Properties

Backer standard screw plug immersion/ insertion heater in stock is suitable as heat source for instance in domestic water heaters, calorifiers, electric boilers, tanks and industrial baths.

The heater consists of 6 pieces Backer tubular heating elements soldered to a screw plug. It could be fitted with different accessories such as terminal box, thermostat, safety temperature limiter, tube and insulation for flow-through heater, socket key for assembly etc.

## Technical specification

Material	Tubular elements Ø6,4 mm in acidproof stainless steel EN 1.4404/AISI 316L Screw plug G2" (R50, 60 mm) in brass Tube for thermostat/temp.limiter Ø10x0,5 length 333 mm
Inaktive length	60±6 mm
Electric connection	Tab terminal 6,3±0,1 mm
Max working temperature	120°C
Max working pressure	9 bar
Manufacturing standard	Backer 40579311 CE
Standards	SS 4330701, SS-EN 60335-1, UL-1030, ISO 6469-3
Power tolerance	+5% / -10%
Surface power density	Approx. 10,3 W/cm <sup>2</sup>



Type IU611R

## Standard assortment

Type IU	Power W	Voltage V	Insertion length Max mm	Article no
IU611R	9000	230/400	415	2520539303

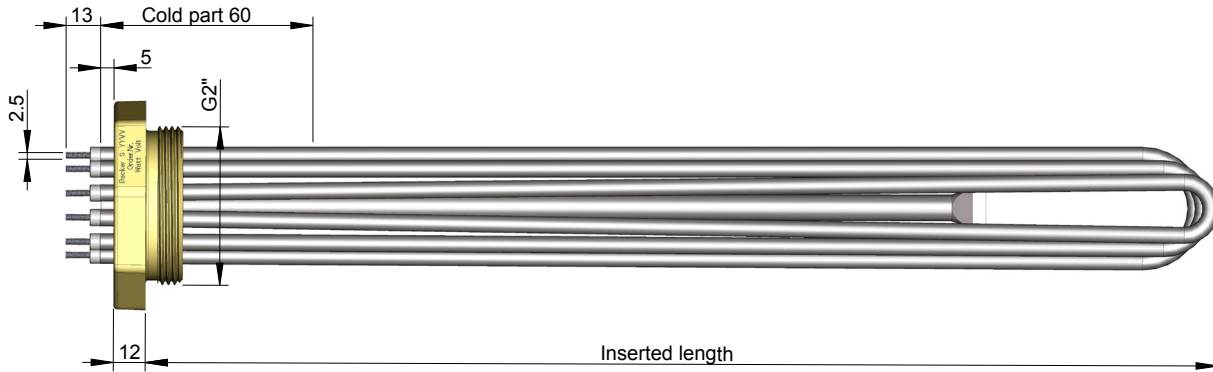
## Options

Terminal box type K17 article no 1120548301  
Terminal box type K18 article no 1120548502  
Control unit type S17C article no 1130685801  
Control unit type S18A article no 1120550701  
Socket key G2" article no 1160143201  
Nut G2" in brass article no 1140485405

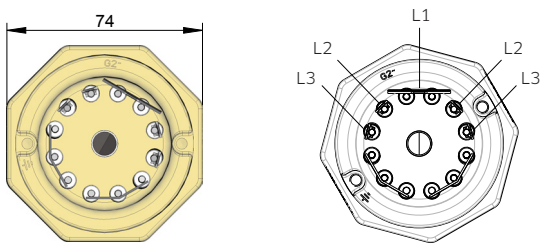
# BACKER IMMERSION HEATER FOR WATER HEATING WITH ELEMENT TUBES IN ACIDPROOF STAINLESS STEEL



Type IU611R



## Circuit diagram/ connection alternatives\*



\*Electric connection must be performed by an appropriated electrician

Heater connecting to control unit type S17C intended for terminal box type K17

Heater connecting to control unit type S18A fitted with contactor and time relay intended for terminal box type K18

